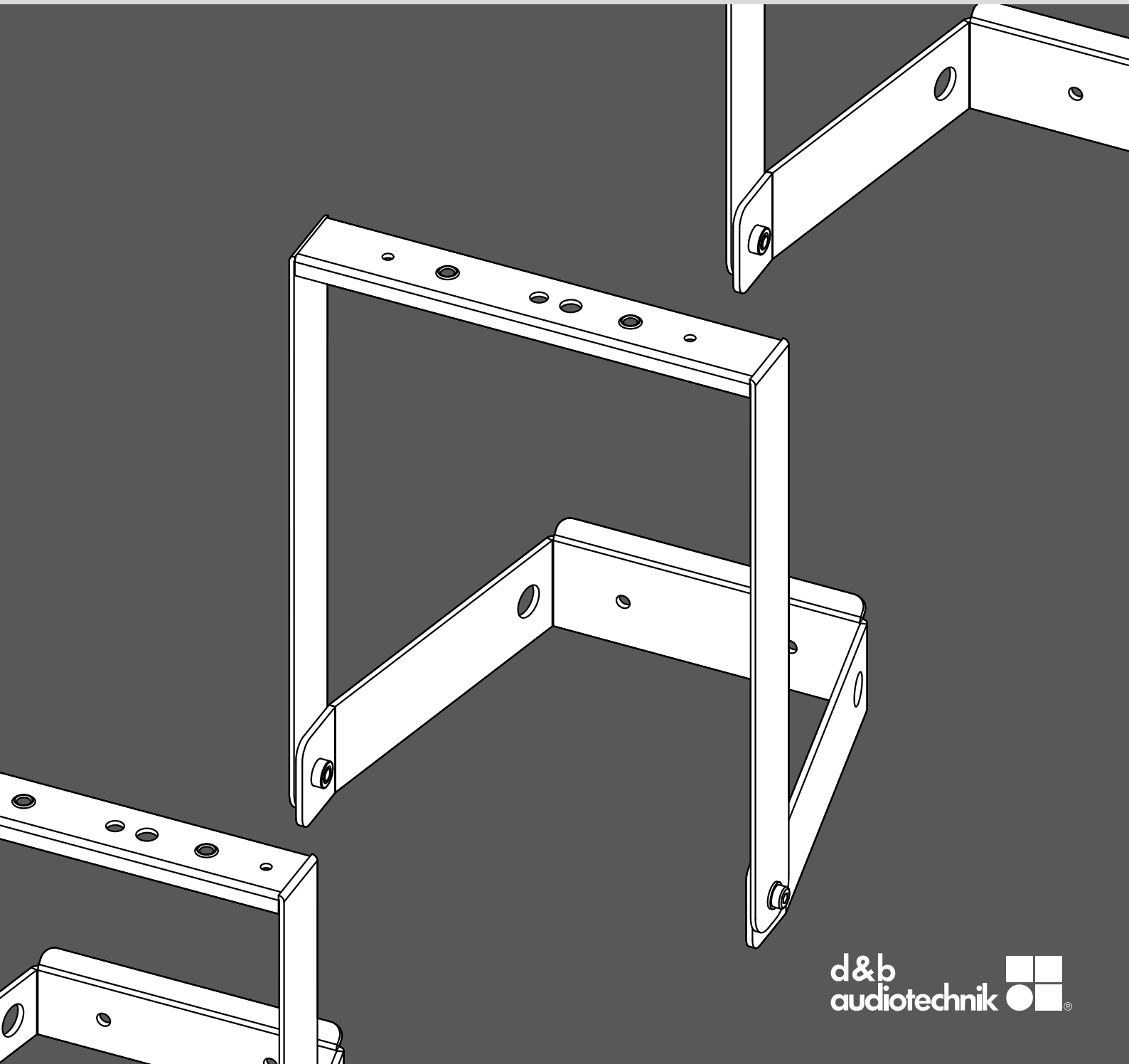


# Z

**Z5404/05/06**

**Mounting instructions 1.2 en**



### **Notes on document version**

All previous versions of this document are hereby no longer valid.

### **Version 1.:**

Measurements and application of the center holes of the tie bar added.

### **Refer to:**

⇒ Chapter 1.4 "Mounting options and angle settings" on page 5.

### **General information**

Z5404/05/06 Mounting instructions

Version: 1.2 en, 01/2025, D2958.EN .01

Copyright © 2025 by d&b audiotechnik GmbH & Co. KG; all rights reserved.

**Keep this document with the product or in a safe place so that it is available for future reference.**

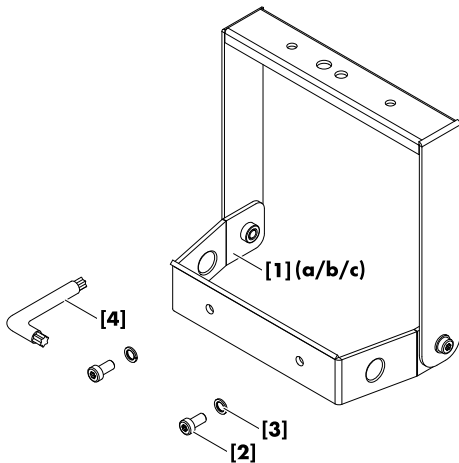
We recommend you to regularly check the d&b website for the latest version of this document.

When reselling this product, hand over this document to the new owner.

d&b audiotechnik GmbH & Co. KG  
Eugen-Adolff-Str. 134, D-71522 Backnang, Germany  
T +49-7191-9669-0, F +49-7191-95 00 00  
docadmin@dbaudio.com, www.dbaudio.com

<b>1</b>	<b>Z5404/05/06 Flying bracket 8S/10S/12S</b>	<b>4</b>
1.1	Scope of supply	4
1.2	Safety precautions	4
1.3	Intended use	5
1.4	Mounting options and angle settings	5
1.5	Assembly	5
<b>2</b>	<b>Fixing templates</b>	<b>7</b>
<b>3</b>	<b>Built-in dimensions</b>	<b>10</b>
<b>4</b>	<b>Manufacturer's declaration</b>	<b>12</b>
4.1	EU conformity (CE symbol)	12
4.2	Disposal	12

# 1 Z5404/05/06 Flying bracket 8S/10S/12S



Scope of supply

## 1.1 Scope of supply

Please verify the shipment for completeness and proper condition of the items.

Qty.	d&b Code	Description
1	<b>Z5404</b>	d&b Flying bracket 8S <b>[1a]</b>
1	<b>Z5405</b>	d&b Flying bracket 10S <b>[1b]</b>
1	<b>Z5406</b>	d&b Flying bracket 12S <b>[1c]</b>
Each including:		
2		Pan head screw (Torx #T45) M8 x 20 <b>[2]</b>
2		Spring washer <b>[3]</b>
1		Torx key <b>[4]</b> (size #T45)
1	D2958.EN .01	Mounting instructions

Weight Flying bracket 8S .....	1.6 kg / 3.5 lb
Weight Flying bracket 10S .....	2.8 kg / 6.2 lb
Weight Flying bracket 12S .....	2.9 kg / 6.4 lb

## 1.2 Safety precautions

### General safety

Installation and setup should only be carried out by qualified and authorized personnel observing the valid national Rules for the Prevention of Accidents (RPA).

It is the responsibility of the person installing the assembly to ensure that the suspension/fixing points are suitable for the intended use.

Always carry out a visual and functional inspection of the items before use. In case you have any doubt as to the proper functioning and safety of the items, these must be withdrawn from use immediately.

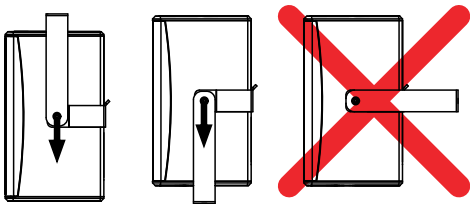
### Load safety information

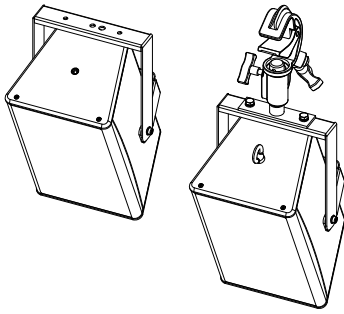
Always align the bracket vertically when using it, whether it is suspended or placed on top of a loudspeaker stand.

The maximum permitted working load of the Z5404 Flying bracket 8S is 7.4 kg (16 lb) (according to BGV C1) which corresponds to the weight of one 8S loudspeaker.

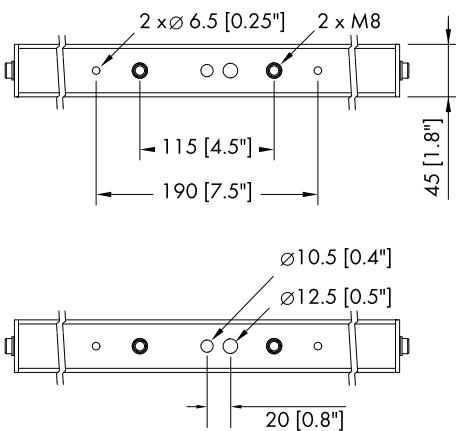
The maximum permitted working load of the Z5405 Flying bracket 10S is 13 kg (29 lb) (according to BGV C1) which corresponds to the weight of one 10S or 10S-D loudspeaker, respectively.

The maximum permitted working load of the Z5406 Flying bracket 12S is 17 kg (37 lb) (according to BGV C1) which corresponds to the weight of one 12S or 12S-D loudspeaker, respectively.

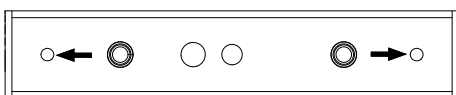




**Z5404/05/06 Rigging examples**



**Z5404/05/06 Mounting holes**



### 1.3 Intended use

The d&b Z5404/05/06 Flying bracket 8S/10S/12S must only be used in conjunction with the d&b xS-Series loudspeakers 8S, 10S/10S-D and 12S/12S-D as described in these mounting instructions.

#### The bracket can be:

- directly mounted to ceilings.
- vertically flown and mounted to bars and truss with a tube diameter of up to 70 mm (2.75") using the Z5010 TV spigot and the Z5012 Pipe clamp.

**Note:** Refer to the specific mounting instructions for assembly and operation of these accessories.

### 1.4 Mounting options and angle settings

Mounting holes are provided on the tie bar of the bracket.

Two 6.5 mm (0.25") holes are provided on the tie bar for fixing the bracket directly the ceiling.

Two M8 threaded inserts at the d&b standard spacing of 115 mm (4.5") are provided to allow the attachment of the Z5010 TV spigot.

The 10.5 mm (0.4") and 12.5 mm (0.5") holes allow the attachment of additional mounting accessories such as a half coupler.

Vertical angles can continuously be set in the range of 90°.

### 1.5 Assembly

#### Fixing the bracket to the ceiling

##### NOTICE!

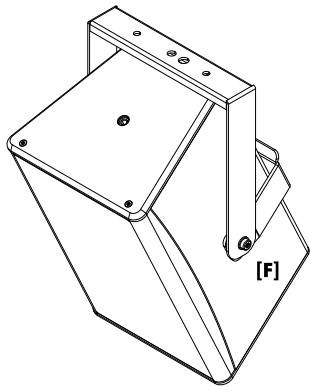
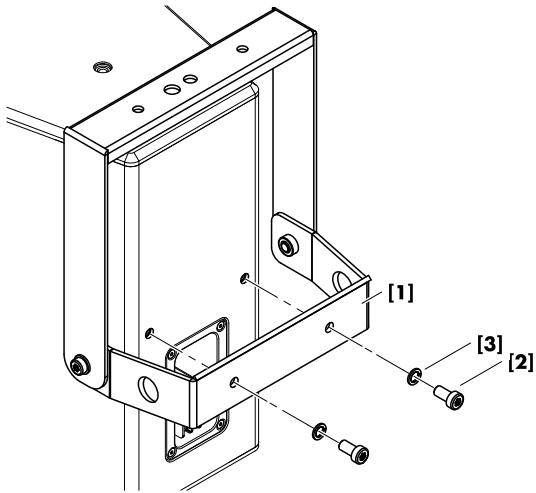
Only use mounting parts (fixing anchors and screws) that are suitable for the intended application.

Observe the occurring extraction forces acting on the fixing anchors and screws. The rated extraction forces for the respective cabinet are listed in the following table.

Application	Rated extraction forces		
	8S	10S	12S
Ceiling mounting	100 N	250 N	300 N

To attach the bracket to the ceiling, use the holes shown in the graphic opposite to provide adequate support.

A corresponding fixing template is supplied with these mounting instructions. Refer to ⇒ Chapter 2 "Fixing templates" on page 7.



## Attaching the bracket to the cabinet

### NOTICE!

- Only use the supplied and specified screws [2], otherwise there is a risk of damaging the threaded inserts.
- Always use the spring washers [3] to prevent the bolts from slackening.

### Tools required:

- Torx key (size #T45 - supplied with the bracket)

1. Attach the bracket to the two M8 threaded inserts on the rear panel of the cabinet.
2. Insert the screws together with the spring washers and U washers and tighten them.

### Vertical alignment

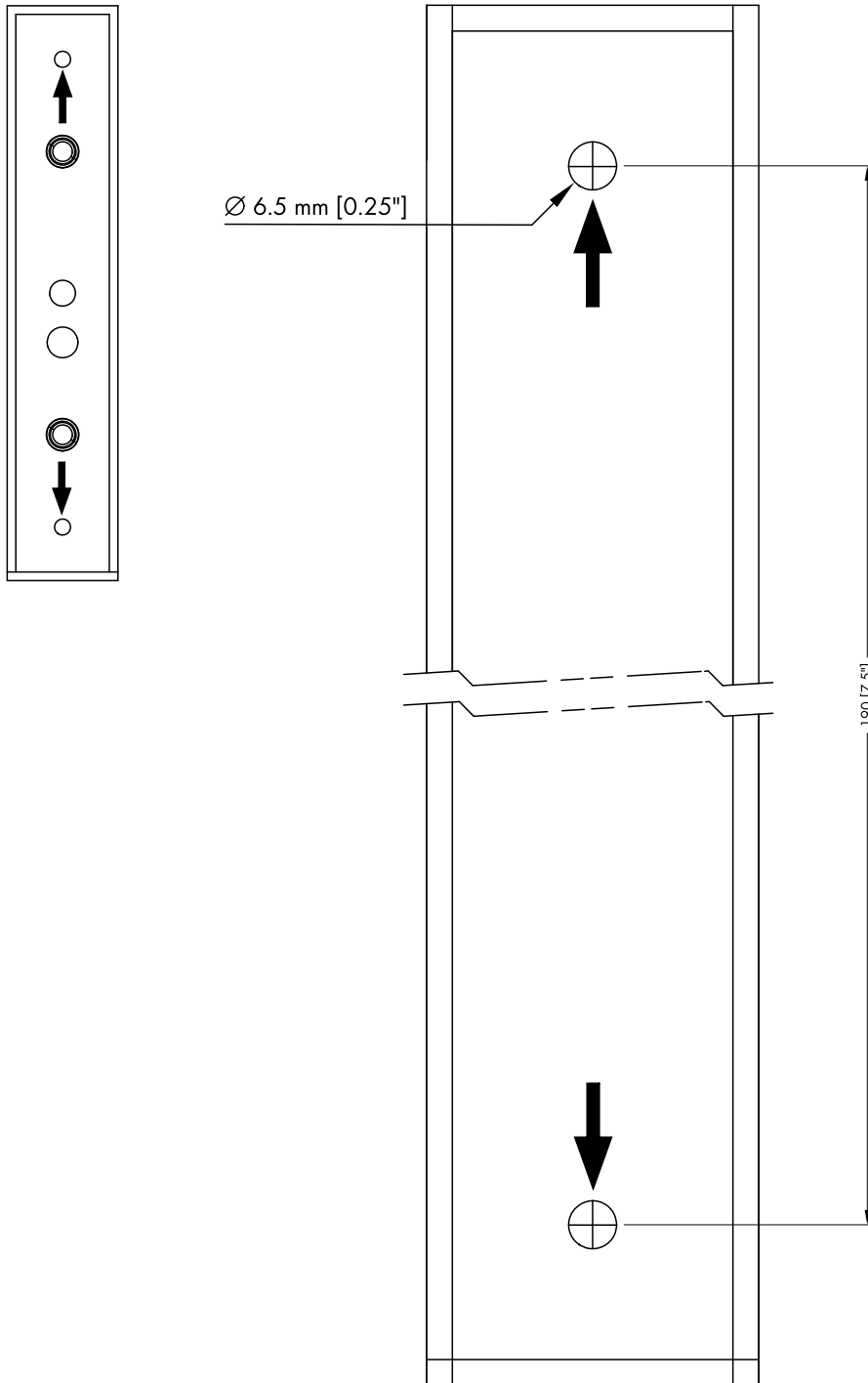
To set the vertical angle, proceed as follows:

### Tools required:

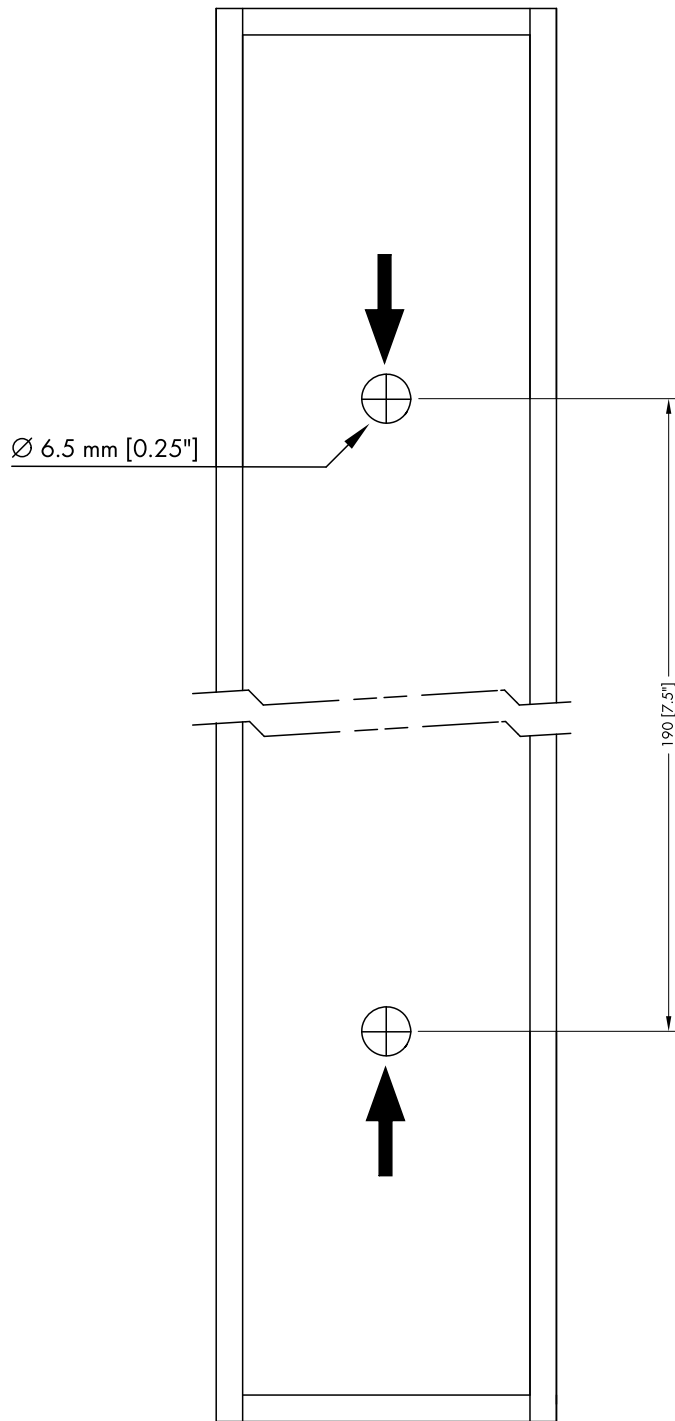
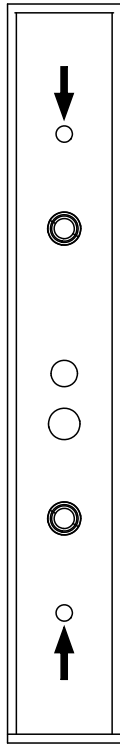
- Torx key (size #T45 - supplied with the bracket)

1. Slacken the fixing bolts [F].
2. Set the cabinet to the desired vertical angle.
3. Retighten the fixing bolts.

## 2 Fixing templates

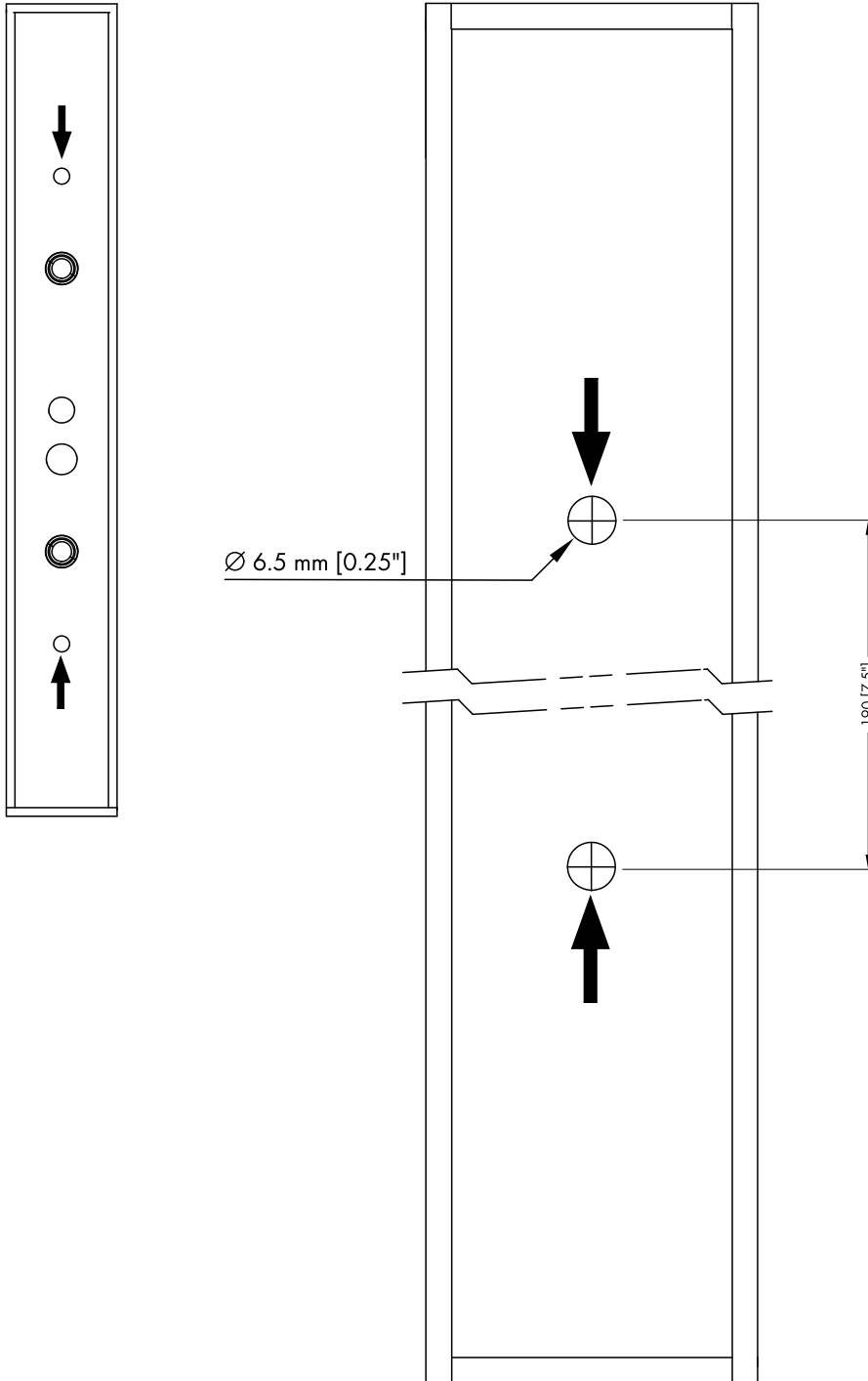


**Z5404 Flying bracket 8S, Fixing template**



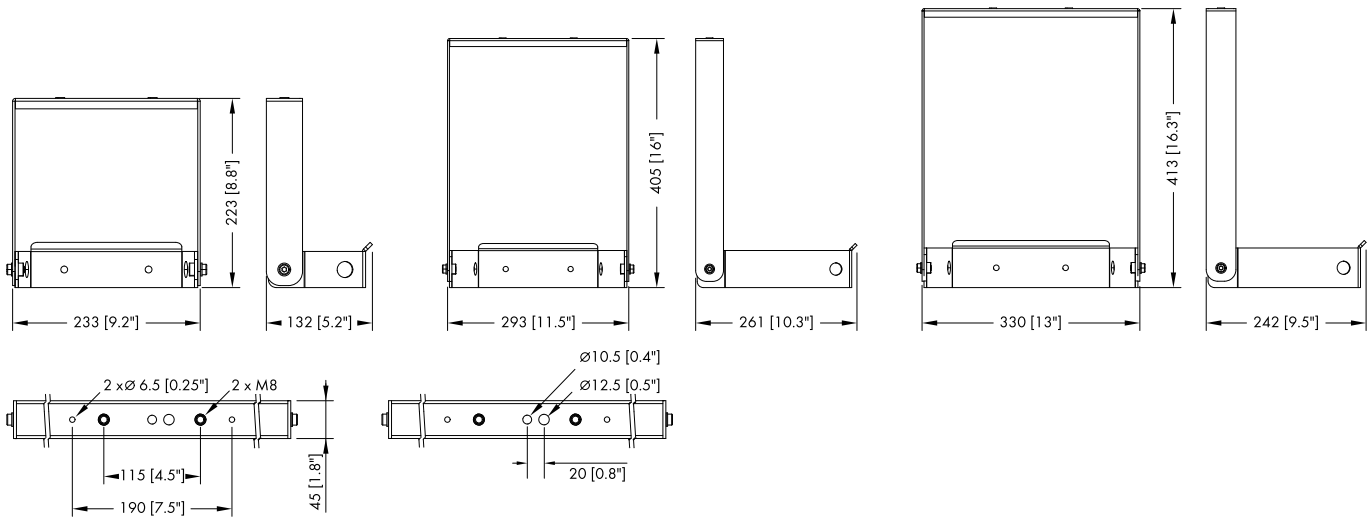
**Z5405 Flying bracket 10S, Fixing template**



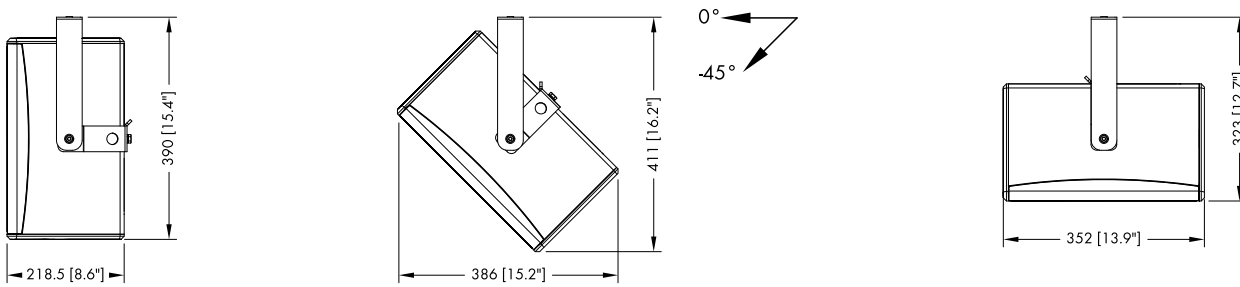


**Z5406 Flying bracket 12S, Fixing template**

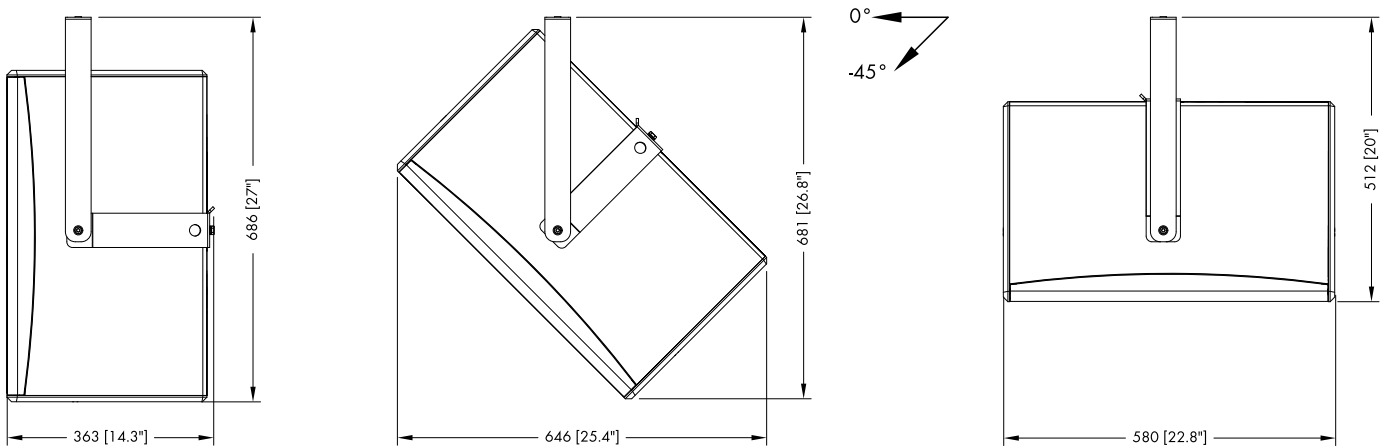
### 3 Built-in dimensions



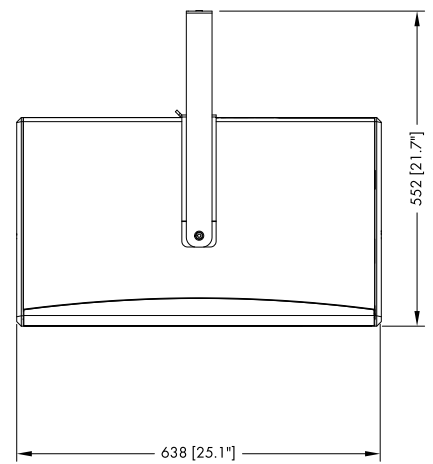
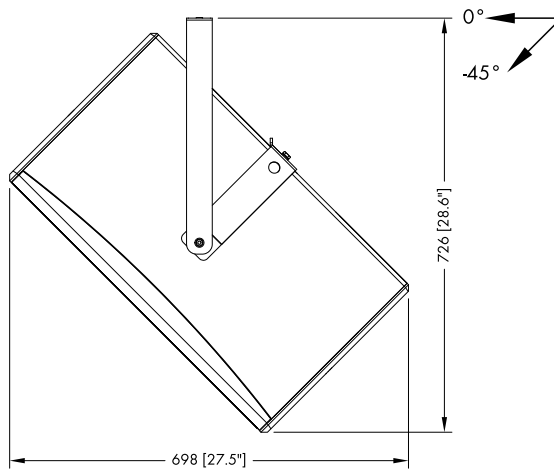
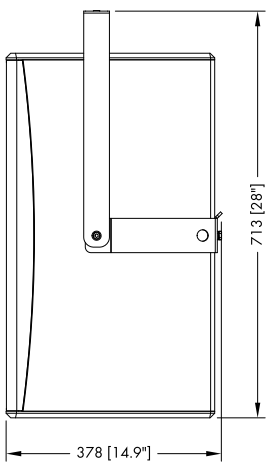
**Z5404/05/06 Flying bracket 8S/10S/12S, dimensions in mm [inch]**



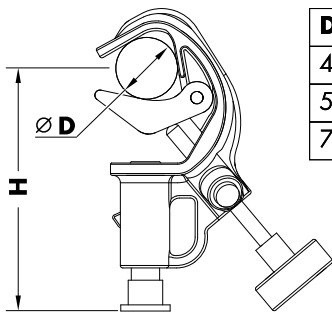
**Z5404 Flying bracket 8S, Mounting options and built-in dimensions in mm [inch]**



**Z5405 Flying bracket 10S, Mounting options and built-in dimensions in mm [inch]**



**Z5406 Flying bracket 12S, Mounting options and built-in dimensions in mm [inch]**



<b>D</b>	<b>H</b>
40 mm [1.6"]	205 mm [8"]
50 mm [2"]	197 mm [7.75"]
70 mm [2.75"]	181 mm [7"]

**Built-in dimensions Z5010/Z5012 Assembly**



### 4.1 EU conformity (CE symbol)

This declaration applies to:

**d&b Z5404 Flying bracket 8S**

**d&b Z5405 Flying bracket 10S**

**d&b Z5406 Flying bracket 12S**

by d&b audiotechnik GmbH & Co. KG.

All product variants are included, provided they correspond to the original technical version and have not been subject to any later design or electromechanical modifications.

We herewith declare that said products are in conformity with the provisions of the respective EC directives including all applicable amendments.

A detailed declaration is available on request and can be ordered from d&b or downloaded from the d&b website at [www.dbaudio.com](http://www.dbaudio.com).

### 4.2 Disposal

When out of use the rigging components must be disposed of in accordance with the national environmental regulations.

Ensure that damaged rigging components are disposed of in a way that they cannot be used again.

**WEEE-Reg.-Nr. DE: 13421928**



