

The 24C-E loudspeaker



24C-E loudspeaker

The 24C-E is a passive column extension to be attached directly to the 24C.

The cabinet houses six 4" neodymium drivers, providing an extension of vertical directivity down by a further octave to 190 Hz.

The acoustic design is based on the same principles as the 24C, thus offering the same cardioid dispersion pattern in the horizontal plane.

The extender is electrically connected through the 24C without the need for an additional amplifier channel.

The loudspeaker cabinet is based on an extruded aluminum profile with a metal grill protecting the front of the loudspeaker.

d&b amplifiers

The d&b audiotechnik loudspeaker range is designed exclusively for operation with d&b amplifiers. These provide power as well as comprehensive control and protection functions tailored to achieve the performance, reliability and longevity associated with the d&b system approach.

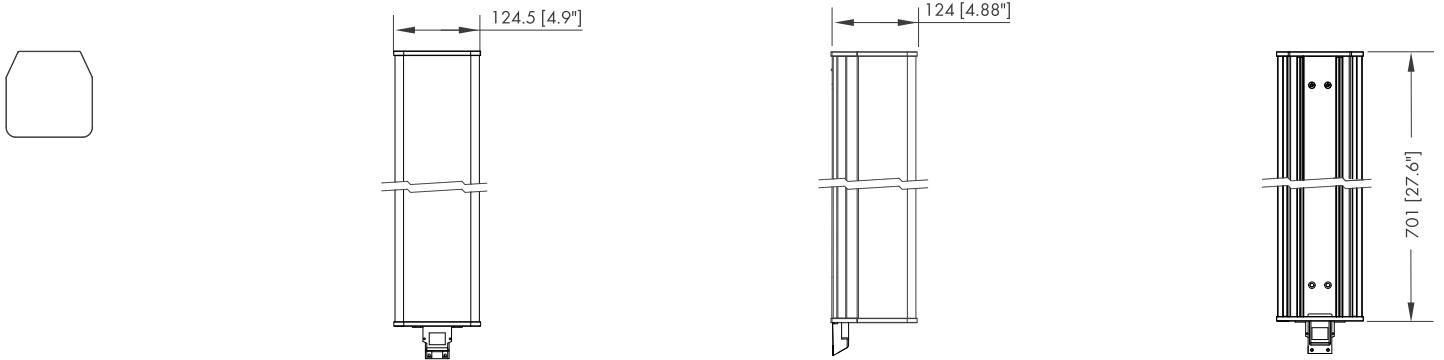
System data

Frequency response (-5 dB standard)	110 Hz - 17 kHz
Frequency response (-5 dB CUT mode)	150 Hz - 17 kHz
Max. sound pressure (1 m, free field)	
24C-E with 10D/30D/40D/D6/D12/D20/D40/D80	128 dB
..... (SPLmax peak, pink noise test signal with crest factor of 4)	

Loudspeaker data

Power handling capacity (RMS/peak 10 ms)	125/600 W
Components	6 x 4" driver with neodymium magnet
Connections	
..... Fixed cable gland with 2-pole Mate-N-Lok mini through 24C	
Enclosure	Extruded aluminum, metal baffle and front grill
Weight	7 kg (15.4 lb)
Mounting	Dual-rail 8 mm T-slot profile at the rear

The 24C-E loudspeaker



24C-E cabinet dimensions in mm [inch]

Architectural specifications

The passive column extender shall consist of six 4" neodymium low-mid drivers.

In the vertical plane, the beam produced by the low-mid drivers shall be tilted downwards by -5° and shall extend dispersion pattern control down to 190 Hz.

The 4" drivers shall be arranged in a unique cardioid setup radiating through waveguide elements at the front and damped ports at the rear of the cabinet and shall provide a constant directivity pattern of 90° in the horizontal plane with a broadband attenuation to the rear of the column of, on average, approx. 18 dB.

The loudspeaker cabinet shall be based on an extruded aluminum profile with a metal grill protecting the front of the loudspeaker.

Two continuous rails (8 mm T-slot profiles) shall be provided at the rear for attaching a wall mount bracket.

A fixed cable gland with a Mate-N-Lok Mini connector shall be provided to connect the extender to the basic column loudspeaker.

The loudspeaker shall only be operated by a dedicated, compatible controller amplifier.

The power handling capacity shall be 125 W RMS and 600 W peak (10 ms).

The dimensions (W x H x D) shall not exceed 125 x 701 x 124 mm (4.9" x 27.6" x 4.9") and the loudspeaker shall weigh no more than 7 kg (15.4 lb).

The loudspeaker shall be the 24C-E by:
d&b audiotechnik GmbH & Co. KG.